

# UV792Q

## Features

- Full Bore, seat supported.
- Floating ball & Split body design.
- Blowout-proof stem.
- Anti-static devices for ball, stem, body.
- Bidirectional tightness.
- Fire safe design.
- Actuator mounting: ISO5211.

## Technical Data

Normal diameter:

NPS 1"~NPS 4".

Normal pressure rating:

ASME Class 150~Class 300.

Material:

Body: Carbon Steel, Stainless Steel.

Ball: 316L + Cr<sub>3</sub>C<sub>2</sub> -NiCr

Seat: 316L + Cr<sub>3</sub>C<sub>2</sub> -NiCr

Temperature:

-29°C ... + 350°C .

Other low temp. or high temp. request,  
please contact UNIVALS factory directly.

## Design Standard

Design & manufacture:

ASME B16.34, API 6D.

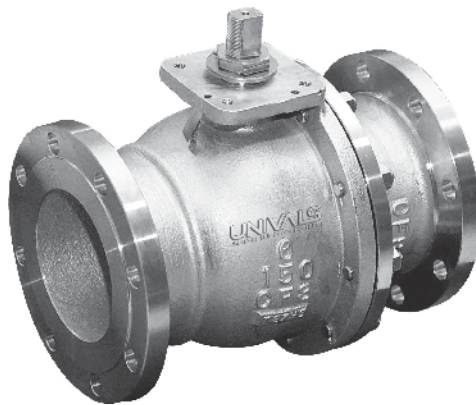
Face to face dimensions:

ASME B16.10.

Connection ends: ASME B16.5.

Testing & inspection: API 598, API 6D.

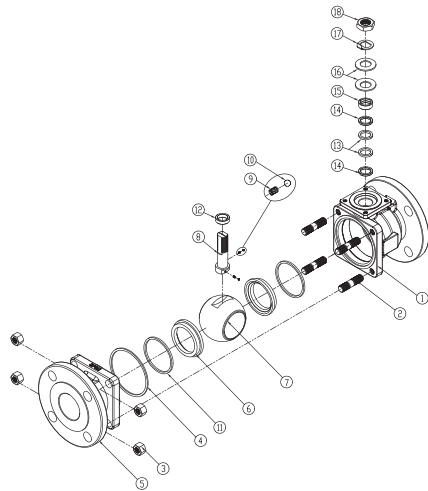
## METAL SEATED, FLOATING, FULL BORE FLANGED BALL VALVE



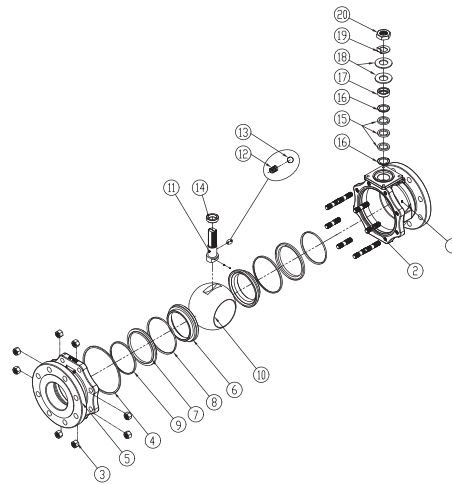
## Application

- Power generation.
- Oil, Gas (Natural gas) .
- Chemical industry.
- Metallurgy.
- Pharmaceutical.
- Paper making.
- Shipbuilding.
- Environmental protection.

## Structure and Material UV 792Q



Size 1" – 2"/DN 25 – 50



Size 3" – 4"/DN 80 – 100

Material Parts List 1"-2"			
No.	Part Description	Material	Qty
1	Body	ASTM A351 Gr. CF8M / ASTM A216 Gr. WCB	1
2	Stud bolt	ASTM A193 Gr. B8M/ASTM A193 Gr. B7M	4
3	Nut	ASTM A194 Gr. 8M/ASTM A194 Gr. 2HM	4
4	Body Gasket	Graphite	1
5	Flange	ASTM A351 Gr. CF8M/ASTM A216 Gr. WCB	1
6	Seat Ring	ASTM A276 316L + (Cr <sub>3</sub> C <sub>2</sub> -NiCr)	2
7	Ball	ASTM A276 316L + (Cr <sub>3</sub> C <sub>2</sub> -NiCr)	1
8	Stem	ASTM A564 630	1
9	Anti Static Spring	SS316	2
10	Anti Static Ball	SS316	2
11	Pressure ring	Graphite	2
12	Bearing	E-Carbon	1
13	Packing ring middle	Graphite	2
14	Thrust ring top & down	E-Carbon	2
15	Packing bushing	ASTM A276 316	1
16	Belleville wash	SS304	2
17	Lock Saddle	ASTM A240 304	1
18	Nut	ASTM A194 Gr. 8M	1

Material Parts List 3"-4"			
No.	Part Description	Material	Qty
1	Body	ASTM A351 Gr. CF8M / ASTM A216 Gr. WCB	1
2	Stud bolt	ASTM A193 Gr. B8M/ASTM A193 Gr. B7M	6-8
3	Nut	ASTM A194 Gr. 8M/ASTM A194 Gr. 2HM	6-8
4	Body Gasket	Graphite	1
5	Flange	ASTM A351 Gr. CF8M/ASTM A216 Gr. WCB	1
6	Seat Ring	ASTM A276 316L + (Cr <sub>3</sub> C <sub>2</sub> - NiCr)	2
7	Z-ring	ASTM A276 316	2
8	Upper pressure ring	Graphite	2
9	Down pressure ring	Graphite	2
10	Ball	ASTM A276 316L + (Cr <sub>3</sub> C <sub>2</sub> - NiCr)	1
11	Stem	ASTM A564 630	1
12	Anti Static Spring	SS316	2
13	Anti Static Ball	SS316	2
14	Bearing	E-Carbon	1
15	Packing ring middle	Graphite	3
16	Thrust ring top & down	E-Carbon	2
17	Packing bushing	ASTM A276 316	1
18	Belleville wash	SS304	2
19	Lock Saddle	ASTM A240 304	1
20	Nut	ASTM A194 Gr. 8M	1

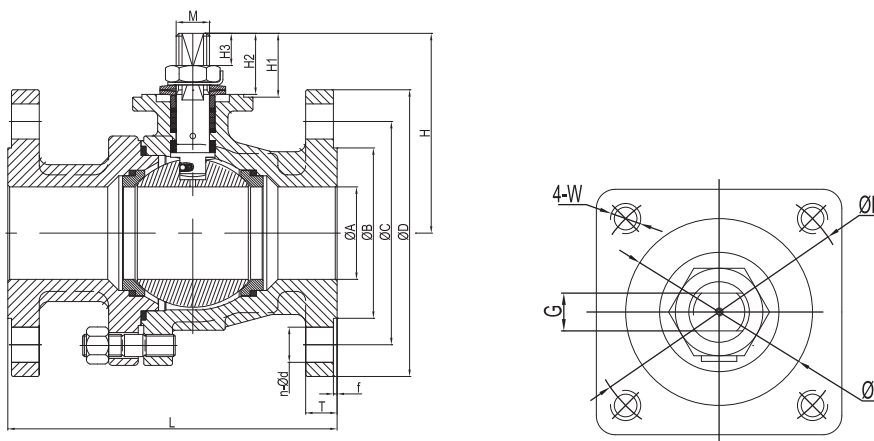
### Torque for Valves in Differential Pressure

Size (inch/mm)		Differential pressure in bar and torque in Nm					
INCH	DN	0 bar	10 bar	20 bar	30 bar	40 bar	50 bar
1"	25	18	20.4	24	36	60	73.2
1-1/2"	40	27.6	38.4	64.8	100.8	132	159.6
2"	50	36	55.2	72	102	150	174
3"	80	60	136.8	210	288	288	399.6
4"	100	144	180	360	660	960	1134

**NOTE:**

1. For torque values in this table are based on the standard construction with Graphite packing for ANSI Class 150Lb and 300Lb.
2. For sizing actuators a minimum safety factor of 1.5 is recommended.
3. Additional torque requirements may be imposed by media characteristics, temperature, trim packing and frequency of cycling.
4. Increase by 15 % for dry gas, and 35% for fluids with solid or abrasive contents.

### Dimensions



Size Inch	ASME 150Lb Dimensions inch/mm									Weight (kg)
	L	ΦA	ΦB	ΦC	ΦD	H	n-Φd	T	f	
1"	127	25	50.8	79.4	108	77	4-16	13	2	3.8
1-1/2"	165	38	73	98.4	128	96	4-16	15.5	2	7.3
2"	178	50	92.1	120.7	155	108	4-19	17	2	10.5
3"	203	80	127	152.4	191.5	149.5	4-19	20	2	25
4"	229	100	157.2	190.5	232	183	8-19	25	2	41

Size Inch	ASME 300Lb Dimensions inch/mm									Weight (kg)
	L	ΦA	ΦB	ΦC	ΦD	H	n-Φd	T	f	
1"	165	25	50.8	88.9	125	77	4-19	18	2	5.6
1-1/2"	190	38	73	114.3	155	96	4-22.5	21.5	2	11
2"	216	50	92.1	127	165	108	8-19	23	2	14
3"	282	80	127	168.3	210	149.5	8-22.5	29	2	35
4"	305	100	157.2	200	255	183	8-22.5	32.5	2	54.6

## Actuators

Univals offers a full line of integrally designed actuators for automated systems or for easier control of Inaccessible or remove valves. Pneumatic actuators which include double-acting and spring-return piston

Size Inch	Dimensions for Mounting Pad in mm							
	G	W	ΦE	ΦP	M	H1	H2	H3
1"	9	M6	35	50	14	20.5	19.5	10
1-1/2"	11	M8	55	70	16	31.5	30	17.5
2"	14	M8	55	70	18	34.5	33	17.5
3"	17	M10	70	102	22	46.5	44.5	26
4"	20	M10	70	102	27	56.5	54.5	32

## How to Order

**Example :**

**792Q01ABHSG**

1.	2.	3.	4.	5.	6.	7.
792Q	01	A	B	H	S	G

1.	TYPE		
	792Q		
2.	Valve Size		
01	1" (25mm)	03	3" (80mm)
02	2" (50mm)	04	4" (100mm)
3.	Pressure Rating		
A	ANSI 150	B	ANSI 300
4.	Body Material		
B	WCB	S	CF8M
Y	Others consult with factory		

5.	Ball Material + Coating
H	ASTM A276 316L+Cr <sub>3</sub> C <sub>2</sub> -NiCr
Y	Others consult with factory
6.	Seat ring
S	ASTM A276 316L+Cr <sub>3</sub> C <sub>2</sub> -NiCr
Y	Others consult with factory
7.	Packing
G	Graphite

### Univals Singapore

1 Kaki Bukit Road 1, #02-12/13 Enterprise One, Singapore 415934

Tel: +65 6580 8388 Fax: +65 6580 8399

### Univals China

No.393, XinGe Road, SongJiang District, Shanghai 201612 PR China

Tel: +86 21-6767 6678 Fax: +86 21-6767 6628

<http://www.univals.com>

Univals have rights to change the design and specification of products without prior notification